



SCORP
CRANE



**POWER
ENGINEERING
PERFORMANCE**

PEAK IN

PERFORMANCE ○ POWER ○ ENGINEER



SCORP CRANE

30 YEARS OF EXPERIENCE

Long time to keep the routine, but short one for pionering.

Only a moment for those who are in a hurry, a lifetime for those who want to give meaning to it.

Making our company the strongest and pioneering in crane machinery has been our primary goal for the last 30 years.

We put determination and passion into every second; not because we had to, but because we wanted to.

Because we were doing what we believed in.

Over a quarter century of experience, now we are embarking to rewrite the rules and forge our own path.

The Scorp Crane a Rasim Makina brand, was created; to change the ordinary, to present always more and to generate sustainable solutions through innovative desings.

We knew that vision requires action and performance is shaped by practice; the desire for the better, keeps on the struggle with the current.

So, the thing that will always make SCORP better and better is it's nature; It is a way of expressing and an attitude.

The main goal is to have the client pronounce the same thing for it;
The Power of Functionality.

As today, the aspire for more and desire of progress for the future will carry us forward. We have faith; This journey, in which we are leading the world as well as in Turkey, is going to be a symbol of the change.

The way of introducing our knowledge and experience is going to be
The SCORP CRANE.





STRONG BY NATURE

This is where the story begins for SCORP CRANE, the future innovative side of waste collection systems.

Produced 9,000 square meter facilities in accordance with the latest developments in the sector and necessary design and quality requirements. Scorp products are subjected to field tests in anticipation of different working conditions and are presented to the end user upon passing all stages.

Strengthening sense of confidence, it provides in the sector and its customers with its legacy from its past, with the emphasis it puts on R&D investments, exports and total quality management, and the steps it has taken towards institutionalization, Scorp takes its steps very strongly in this new branding path.

SCORP CRANE WASTE COLLECTION SYSTEMS

Just as healthy nature has vital importance for our future, so healthy environment and cities, free of waste, are that important too. Therefore, relevant to systematically updated waste management systems;" whether higher capacity or lower capacity of aboveground and underground containers" the preference for garbage trucks mounted cranes for waste collection provide much more functional solutions in the city.

With its new generation recycling waste collection systems, SCORP CRANE offers solutions with different types of models and attachments in all containers needed.





**SCORP
CRANE**

POWER OF FUNCTIONALITY

The new face of Waste Collection Systems, SCORP CRANE, invites you to discover the power of functionality for the best.

Strong, compact and solutions tailored exactly to your needs are right by your side.

Articulated, with a wide working area, telescopic cranes can be safely operated with remote control.

It has been produced with concept of being durable and maximizing benefit with minimum cost.

The SCORP CRANE, with its most important feature being its compact, lightweight, and powerful structure, is also preferred with its additional features such as after-sales support, low spare parts cost and easy supply of all required attachments.

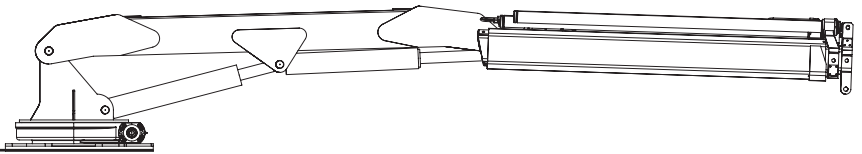
Get functionally and power everywhere with Scorp models produced in compliance with EN: 12999: A2 standards.

*Success is
born of desire.*

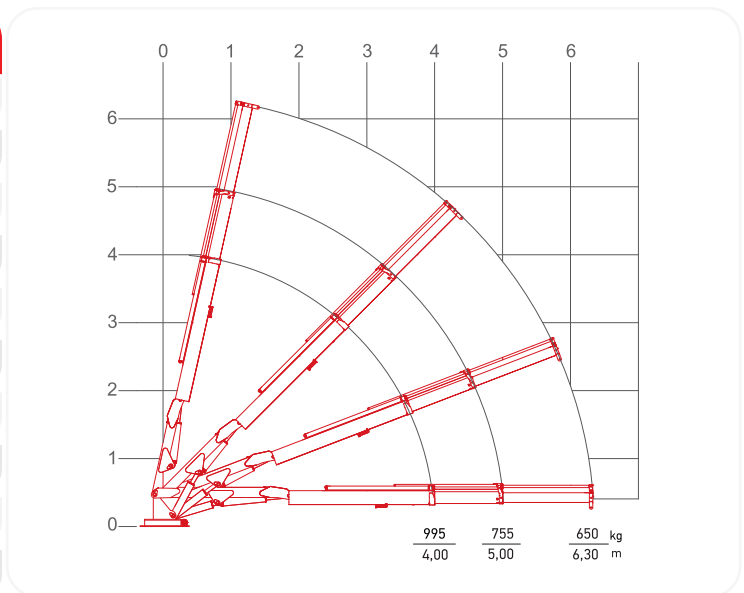
EVERYTHING IS SIMPLE WITH SCORP CRANE

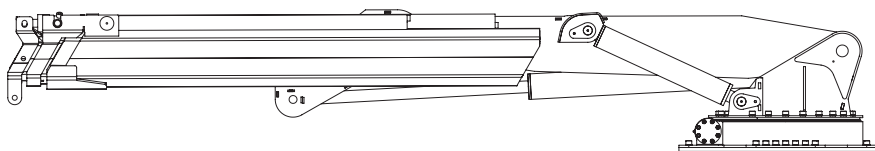
- Possibility of mounting on the garbage compactor,
- More compactor capacity with light and compact design,
- Two different model options according to the vehicle to be mounted and its application area,
- Easy use of attachments suitable for the locking system for each container type,
- Electronic Moment Control System,
- Hydraulic control system that allows many movements at the same time,
- Radio remote control,
- Stability control system,
- Rotation arc limiter.

GC 40-600



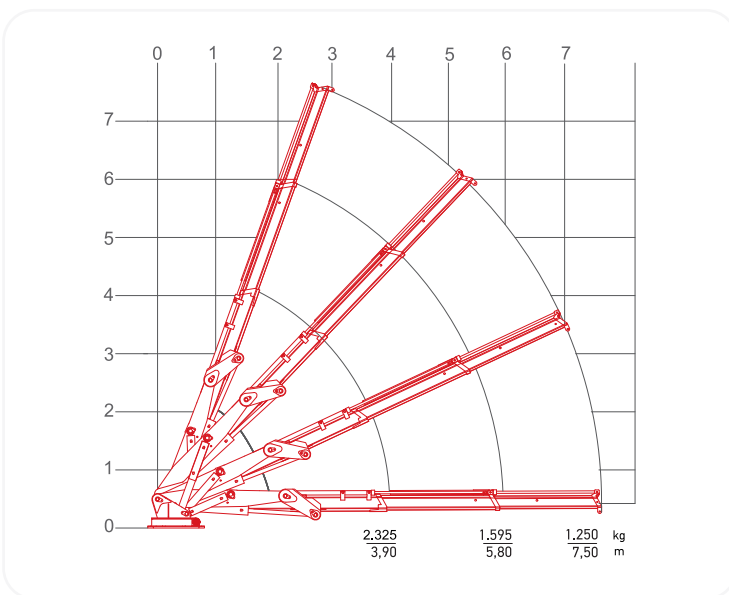
TECHNICAL FEATURES	VALUES
Capacity	4.1 tm
Outreach	6.300 mm
Working Area	330°
Rotation Torque	12,96 kNm
Max. Pressure	210 Bar
Pump Capacity	15 lt/min
Crane Weight	560 kg
Width	670 mm
Length	4.435 mm
Height	650 mm





GC 100-750

TECHNICAL FEATURES	VALUES
Capacity	9.7 tm
Outreach	7.500 mm
Working Area	330°
Rotation Torque	34,2 kNm
Max. Pressure	190 Bar
Pump Capacity	40 lt/min
Crane Weight	1.350 kg
Width	920 mm
Length	4.400 mm
Height	720 mm



WASTE COLLECTION SYSTEMS

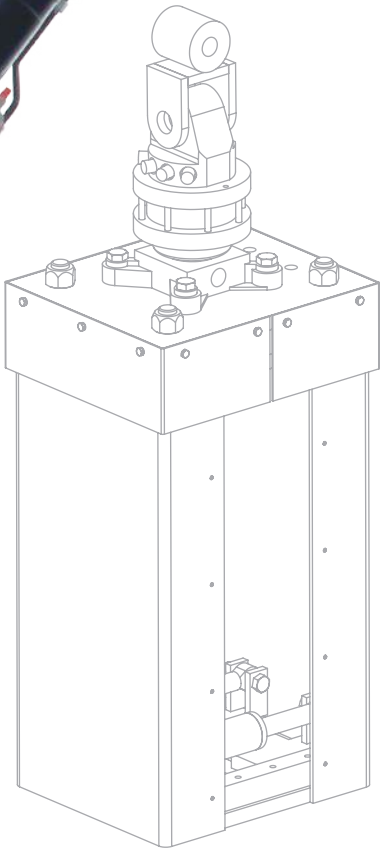


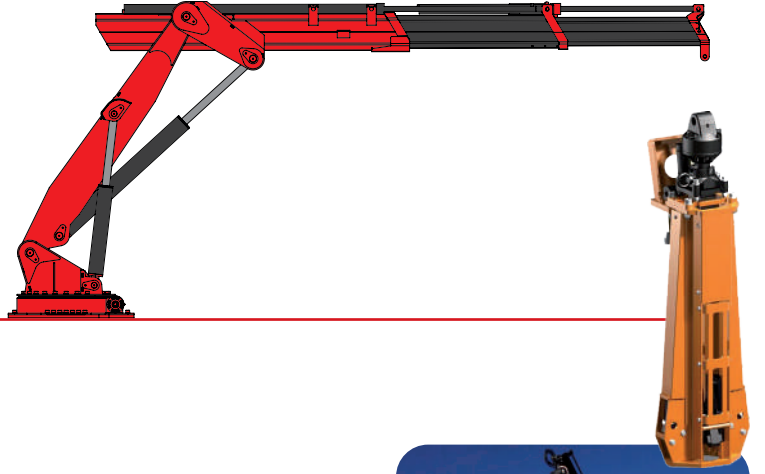
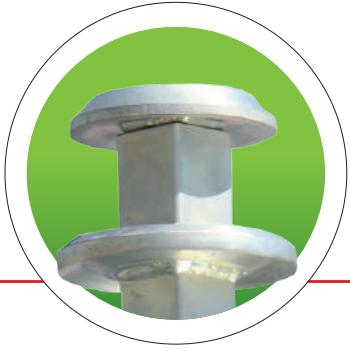
ARCHI MUSHROOM CONTAINER DISCHARGE UNIT

The ARCHI attachment is a product of Rasim Makina, designed for optimum solution to collect the mushroom containers in easy, fast and effective way.

The Scorp Crane is used with the ARCHI attachment for the push-down mushroom discharge system, the dynamic mushroom's top pinion has to be pushed down to keep the bottom trap door locked during the lifting process. The bottom trap doors open with gravity, when the mushroom's dynamic part is released, trap doors open automatically. Sensitive positioning and activation of the attachment are provided by the rotator and the hydraulic connections on the rotator.

In order to use the ARCHI attachment, the additional dual control module and hydraulic installation must be ready on the crane.





KINSHOFER MUSHROOM CONTAINER DISCHARGE UNIT

Containers with mushroom-type locking systems used for towing can be easily unloaded using the "KINSHOFER" attachment with the "SCORP" crane.

Containers can be unloaded by a single-person with minimum effort through the pick-up mushroom trap door type. The top of movable mushroom system must also be lifted for the trap doors to remain locked during the lifting process. The trap doors are operated by chains or a traverse leverage system connected to the movable mushroom. When this top is lowered the trap doors are open automatically. Precise positioning with rotator, due to the use of a rotator.

In order to use the KINSHOFER attachment, an additional dual control module and hydraulic system must be ready on the crane.



WASTE COLLECTION SYSTEMS



SINGLE HOOK CONTAINER DISCHARGE UNIT

Cranes are used with a single lifting hook for handling of street containers.

This model is especially preferred by the users who have their operations in narrow streets, could also be used in crowded cities due to it's fast, safe and practical nature.

In this system, the containers do not have a special lid opening system.





DOUBLE HOOK CONTAINER DISCHARGE UNIT

The Scorp Cranes are used with a double hook system for handling and pick-up hook for opening of trap doors of containers.

Containers with 2 hooks arrangement are lifted using a crane traverse. The movable hook must also be positioned upright during the lifting process. The trap doors are operated by chains or a traverse leverage system connected to the movable hook. When this hook is lowered the trap doors are open automatically. The movable hook is installed in extension boom of crane by a traverse and pulling ram.

For the activation of the second hook system, there should be a control module and hydraulic installation on the crane.



SCORP
CRANE

www.scorpcrane.com



Ankara / Türkiye

RASIM
makina - vinç
www.rasimmakina.com